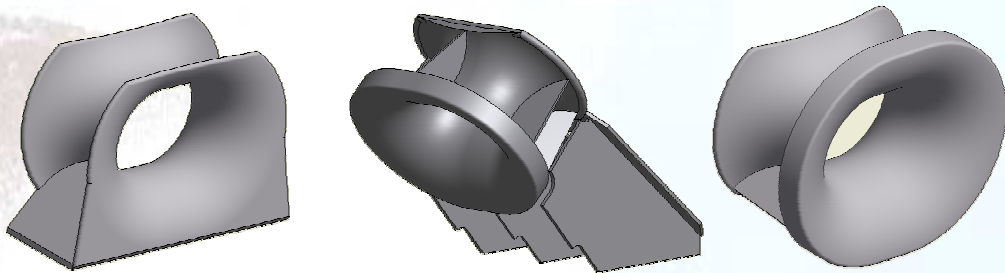


The new Panama Canal is opening April 2016. This requires new types of chocks, bollards & recessed bits for the large New Panamax & Panamax plus vessel. The new mooring / towing equipment are available through Tech-Marine.

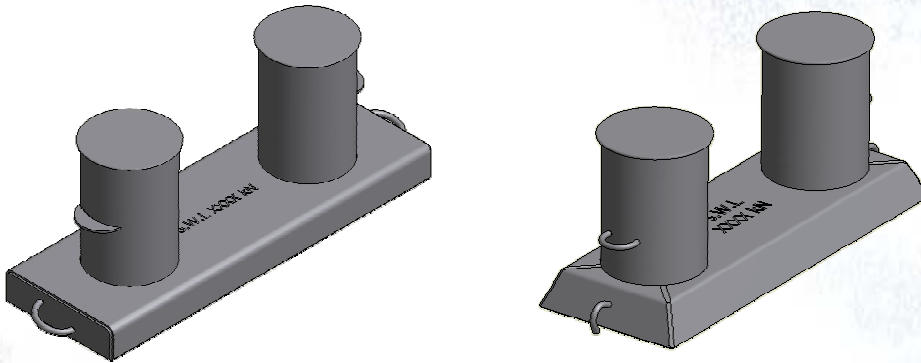
Deck and bulwark chock:

See TM Standard 506001L, 506002L, 506010L and 506013L



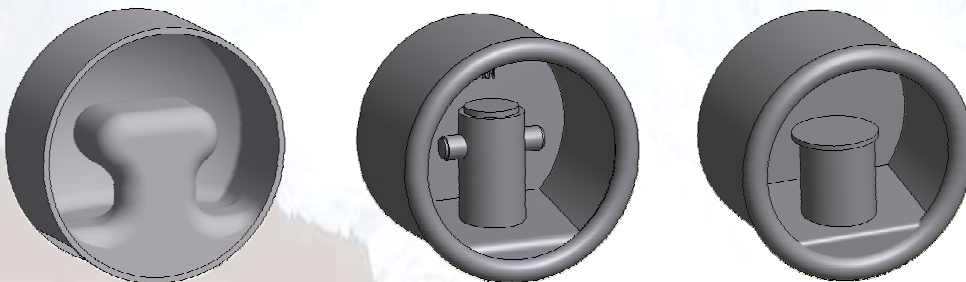
Double bollards:

See TM Standard 505001L and 505002L



Casted and welded recessed bits:

See TM Standard 507001L, 507006L, 507007L and 507009L



For more details see our catalog at our web side.