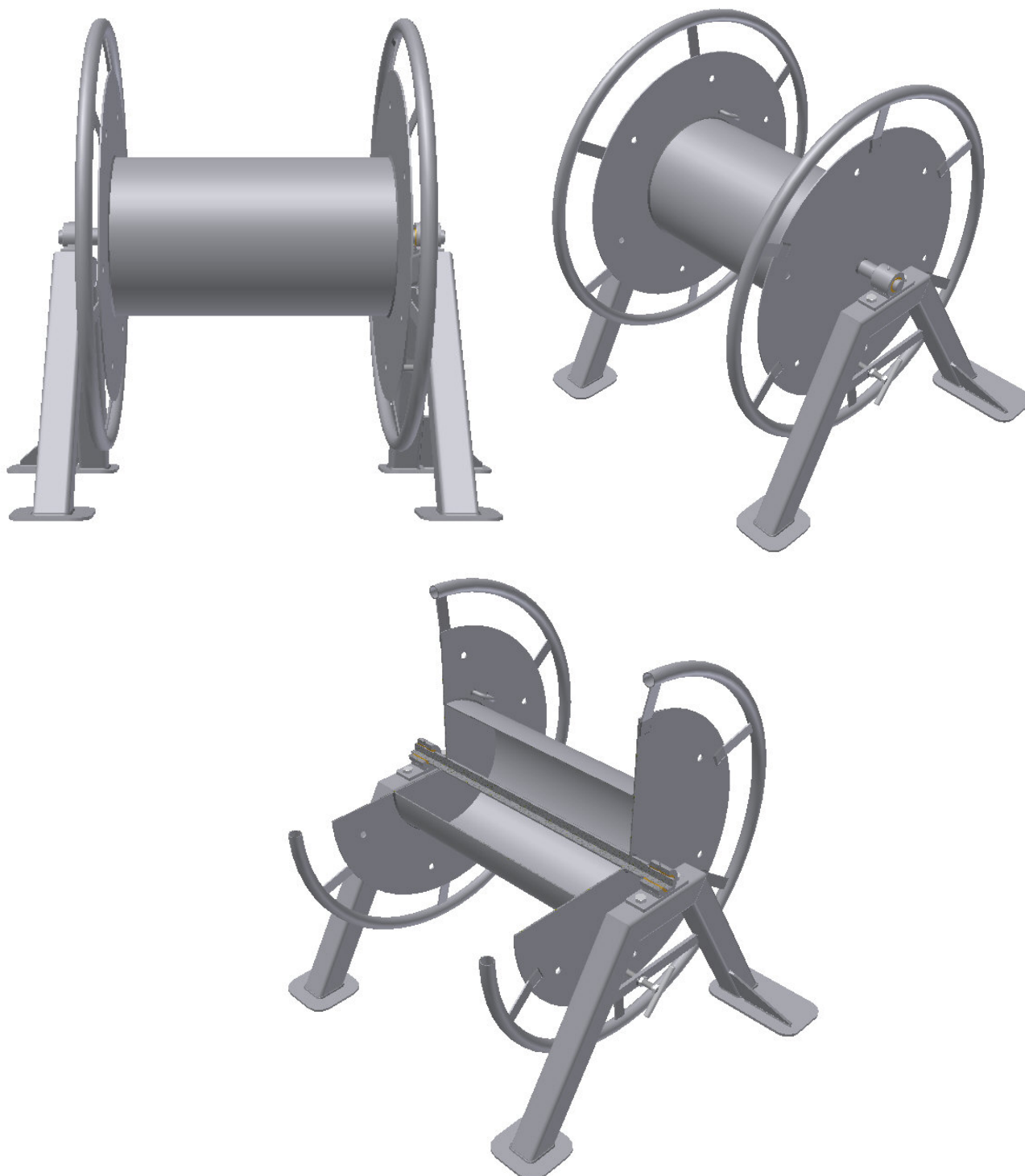


## TM 504002L Deck Mounted Rope Reel

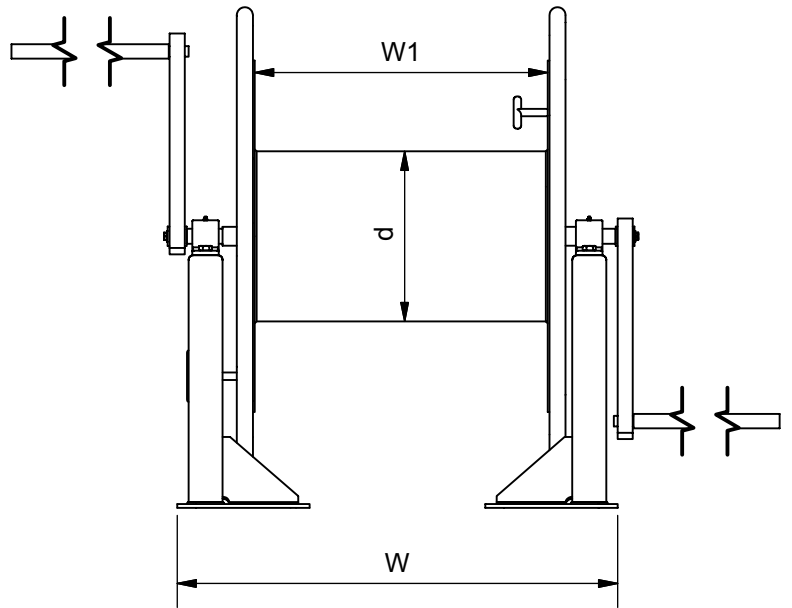
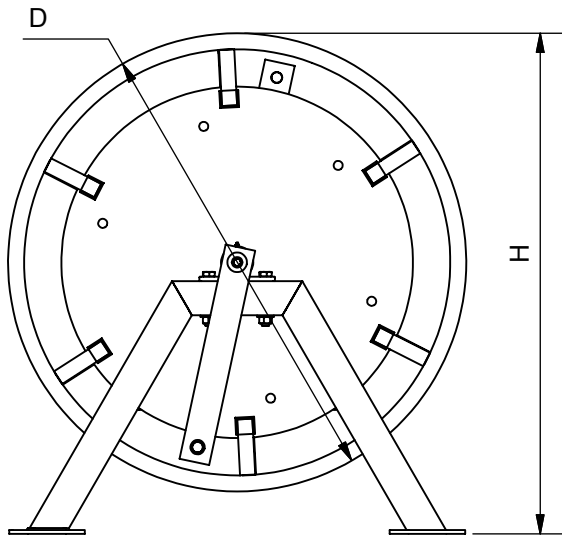


**SECTION VIEW**

See reverse for details ⇒

**TECH-MARINE EQUIPMENT APS**  
**ESRUMVEJ 421 • 3080 TIKØB • DENMARK**

E-mail: Tech-Marine@Tech-Marine.dk • www.tech-marine.dk  
Phone +45 4970 4395 • Fax + 45 4970 1769 • CVR 25 99 96 49



TM504002L Handoperated Rope Reel deck mounted						
Rope Size	Capacity	W	W1	H	D	d
0 - 25	110 m	890	500	920	810	250
	220 m	1440	1050			
26 - 35	110 m	940	550	1120	1010	350
	220 m	1490	1100			
36 - 45	110 m	940	550	1320	1210	450
	220 m	1490	1100			
46 - 58	110 m	1090	700	1440	1330	550
	220 m	1890	1500			

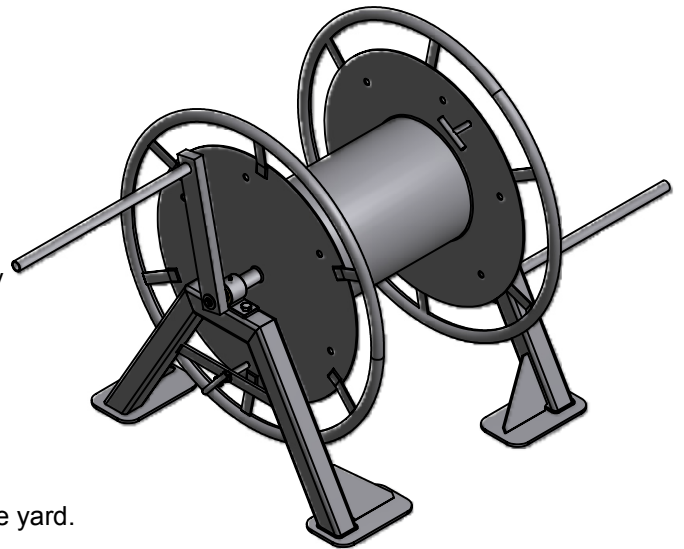
The foundation is in compliance with IMO Guidance, NSC/Circ. 1175 of May 2005.

Material: S275 welded construction  
 Certificate: 3.1 acc. to EN 10204:2004  
 Surface treatment: Sa 2.5 + Hempel primer ZS 15890 grey

Type A - without handle  
 Type B - with handle

Order: TM 504002L-dia. rope, type  
 Example: TM 504002L-dia. rope, type A

Suitable support strengthening at deck/shell/bulwark by the yard.



STANDARD

<b>Tech-Marine Equipment ApS</b> Esrumvej 421 - DK 3080 Tikøb Phone +45 4970 4395 Fax. +45 4970 1769 <small>Existing law protects TMs rights of possession to this drawing. The design or the drawing must not, without permission of TM be published, copied, reproduced, manufactured or exploited in any other way.</small>	<b>TM 504002L</b>  <b>Deck Mounted Rope Reel</b>	Date	Checked	Revision
		23-01-2012		B
		Sheet	2 of 2	