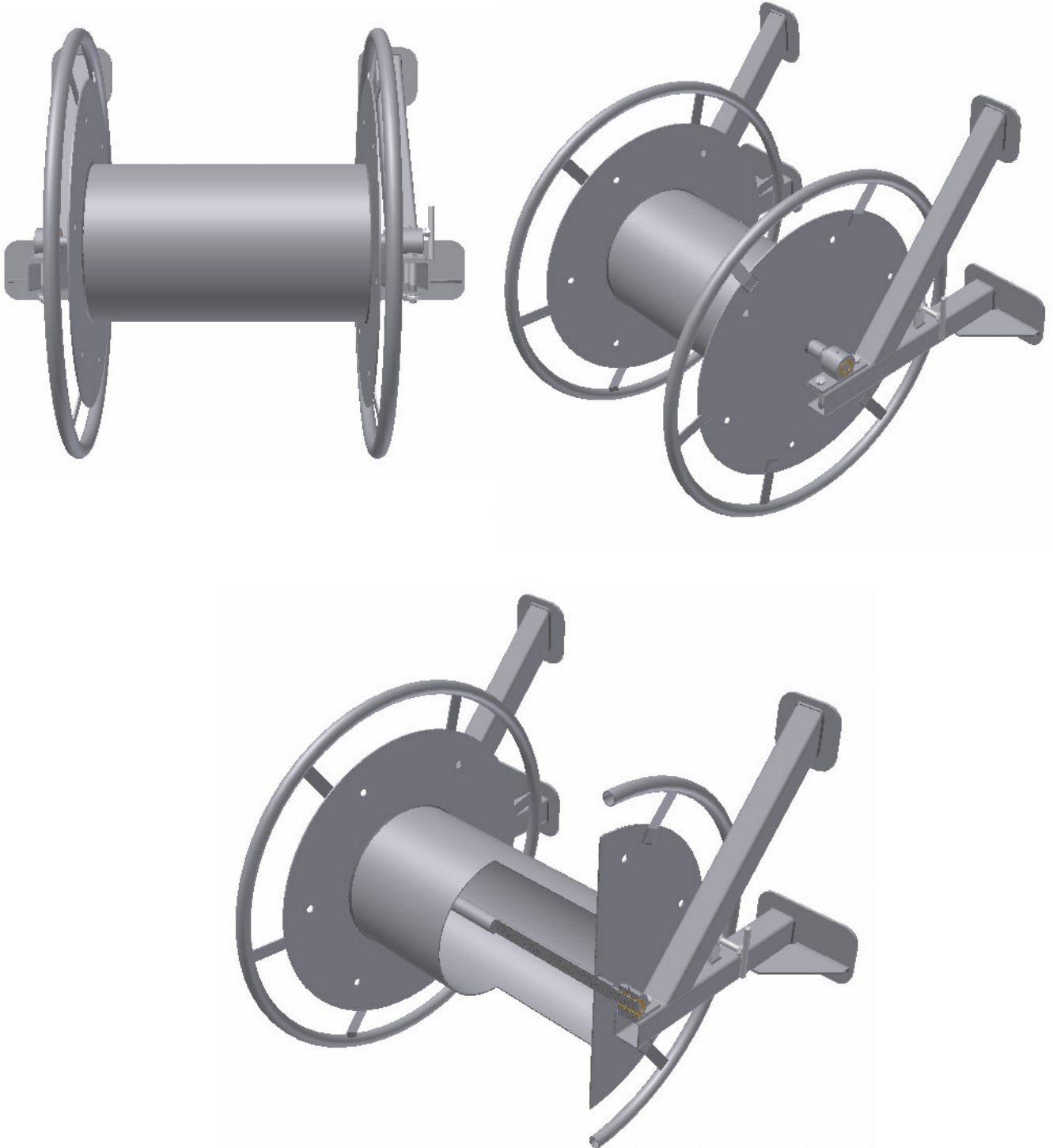


TM 504003L Bulkhead Mounted Rope Reel



SECTION VIEW

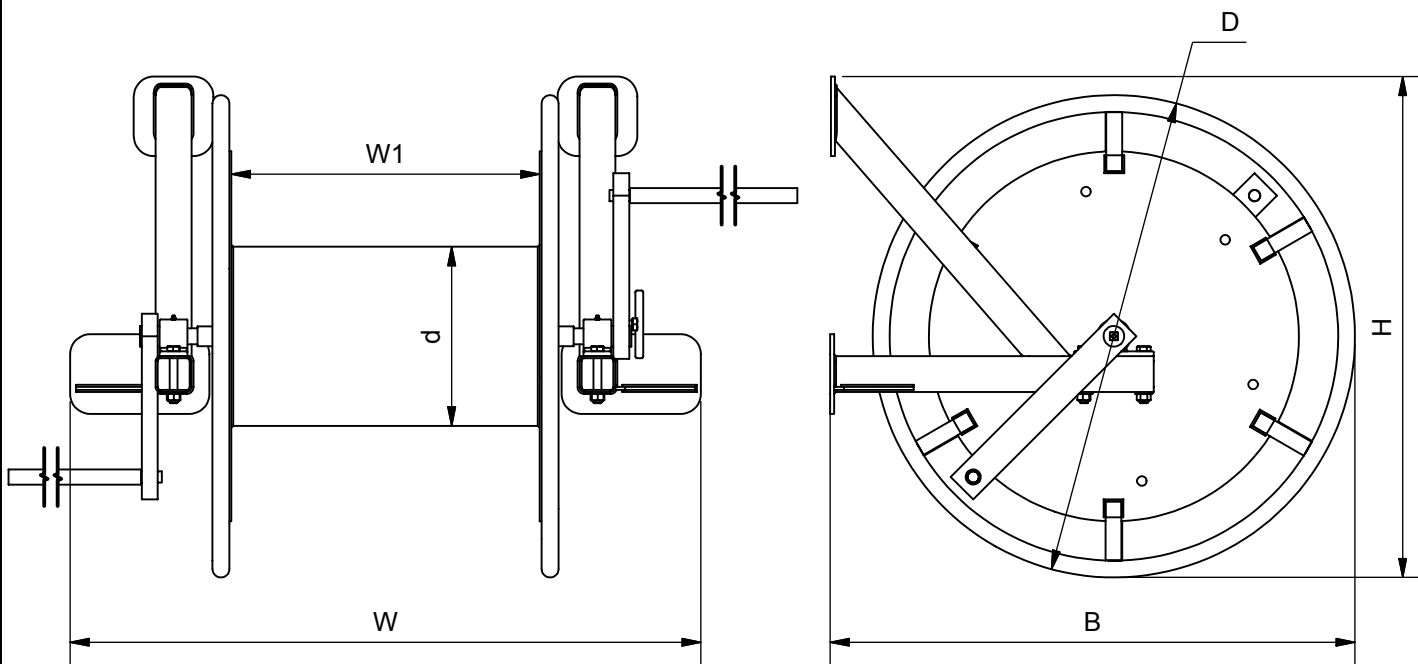
See reverse for details ⇒

TECH-MARINE EQUIPMENT APS

ESRUMVEJ 421 • 3080 TIKØB • DENMARK

E-mail: Tech-Marine@Tech-Marine.dk • www.tech-marine.dk

Phone +45 4970 4395 • Fax + 45 4970 1769 • CVR 25 99 96 49



TM504003L Handoperated Rope Reel bulkhead mounted							
Rope Size	Capacity	W	W1	H	D	d	B
0 - 25	110 m	1260	500	860	810	250	920
	220 m	1810	1050				
26 - 35	110 m	1310	550	1160	1010	350	1220
	220 m	1860	1100				
36 - 45	110 m	1310	550	1260	1210	450	1320
	220 m	1860	1100				
46 - 58	110 m	1460	700	1380	1330	550	1440
	220 m	2260	1500				

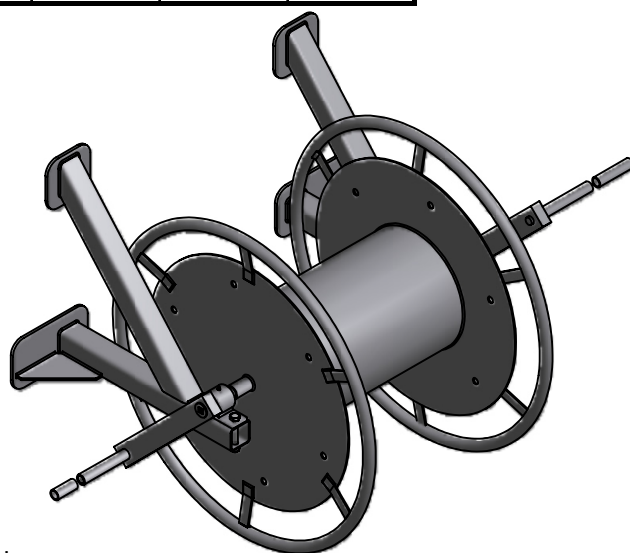
The foundation is in compliance with IMO Guidance and IACS UR A2 (Rev.3), NSC/Circ. 1175 of May 2005.

Material: S275 welded construction
 Certificate: 3.1 acc. to EN 10204:2004
 Surface treatment: Sa 2.5 + Hempel primer ZS 15890 grey

Type A - without handle
 Type B - with handle

Order: TM 504003L-dia. rope, type
 Example: TM 504003L-dia. rope, type A

Suitable support strengthening at deck/shell/bulwark by the yard.



STANDARD

Tech-Marine Equipment ApS Esrumvej 421 - DK 3080 Tikøb Phone +45 4970 4395 Fax. +45 4970 1769 <small>Existing law protects TMs rights of possession to this drawing. The design or the drawing must not, without permission of TM be published, copied, reproduced, manufactured or exploited in any other way.</small>	TM 504003L Bulkhead Mounted Rope Reel	Date	Checked	Revision
		27-10-2014		B
		Sheet	2 of 2	