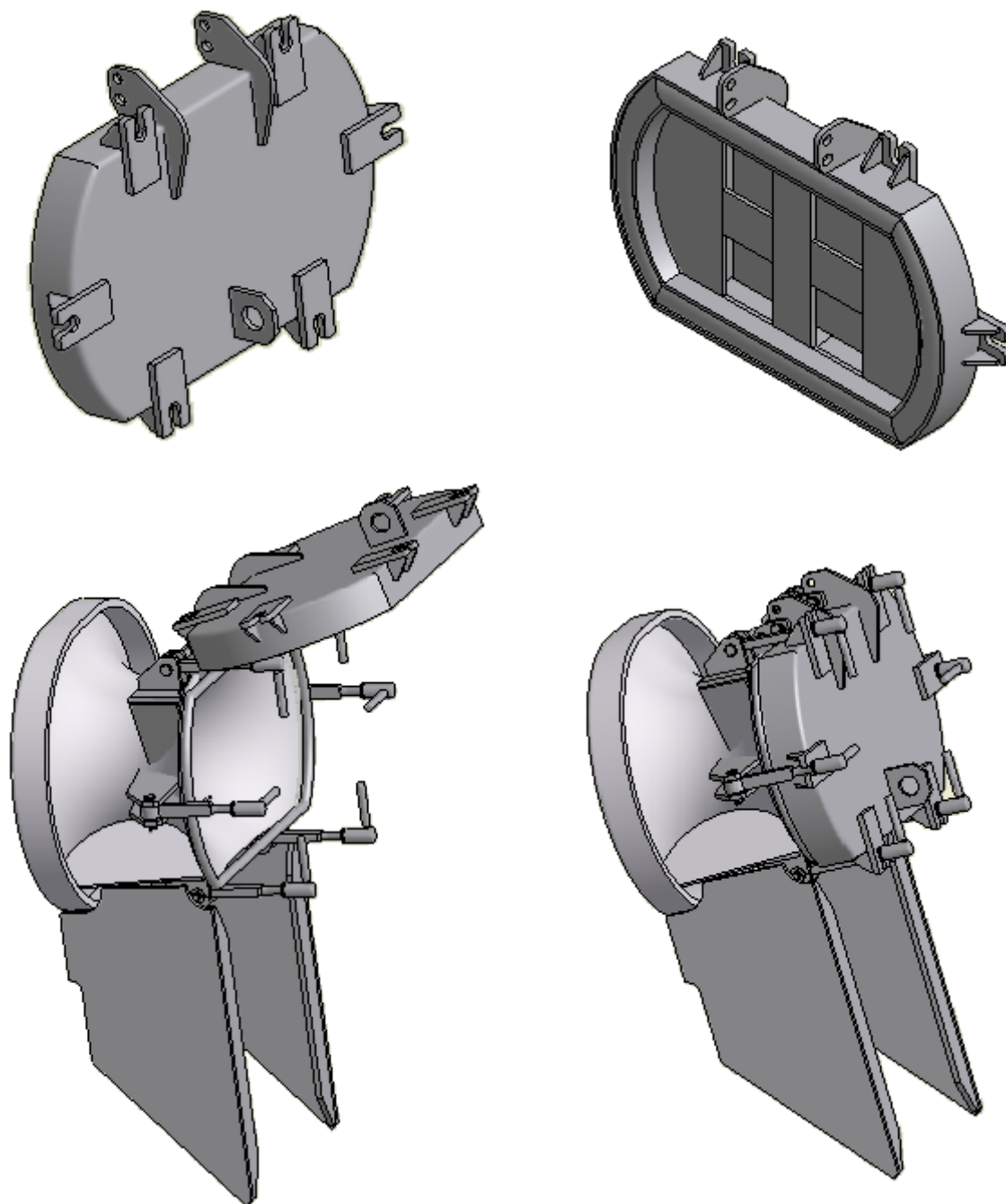


## TM 506011L Water Tight Cover for DIN Chock A12

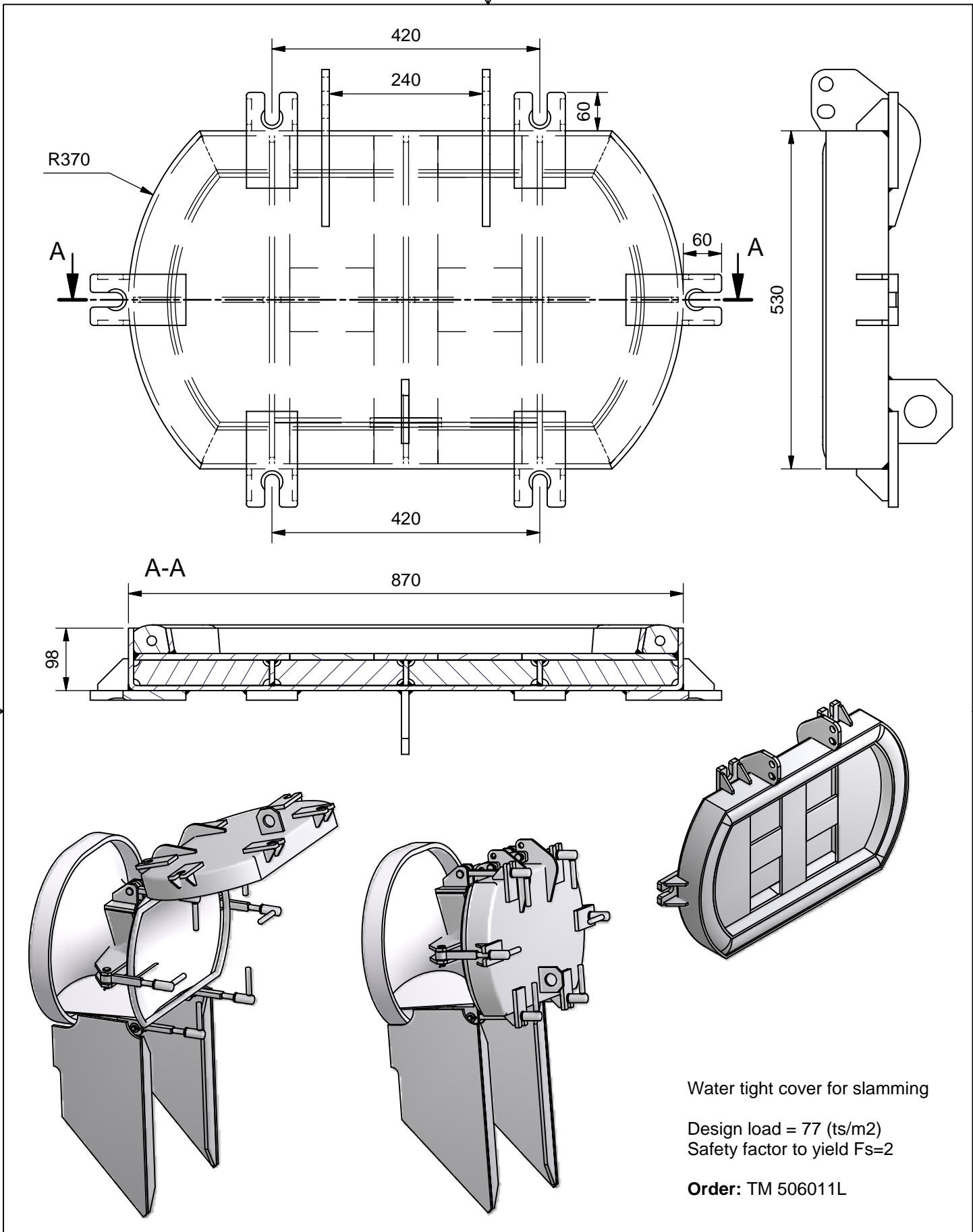


**ISOMETRIC VIEW**

See reverse for details ⇒

**TECH-MARINE EQUIPMENT APS**  
**ESRUMVEJ 421 • 3080 TIKØB • DENMARK**

E-mail: [Tech-Marine@Tech-Marine.dk](mailto:Tech-Marine@Tech-Marine.dk) • [www.tech-marine.dk](http://www.tech-marine.dk)  
Phone +45 4970 4395 • Fax + 45 4970 1769 • CVR 25 99 96 49



Water tight cover for slamming

Design load = 77 (ts/m<sup>2</sup>)  
 Safety factor to yield Fs=2

**Order:** TM 506011L

**STANDARD**

<b>Tech-Marine Equipment ApS</b> Esrumvej 421 - DK 3080 Tikøb Phone +45 4970 4395 Fax +45 4970 1769	<b>TM 506011L</b>  <b>Water Tight Cover for          DIN Chock A12</b>	Date	Checked by	Revision:
		01-04-2009		
		Sheet	2 of 2	

Existing law protects TMs rights of possession to this drawing. The design or the drawing must not, without permission of TM be published, copied, reproduced, manufactured or exploited in any other way.