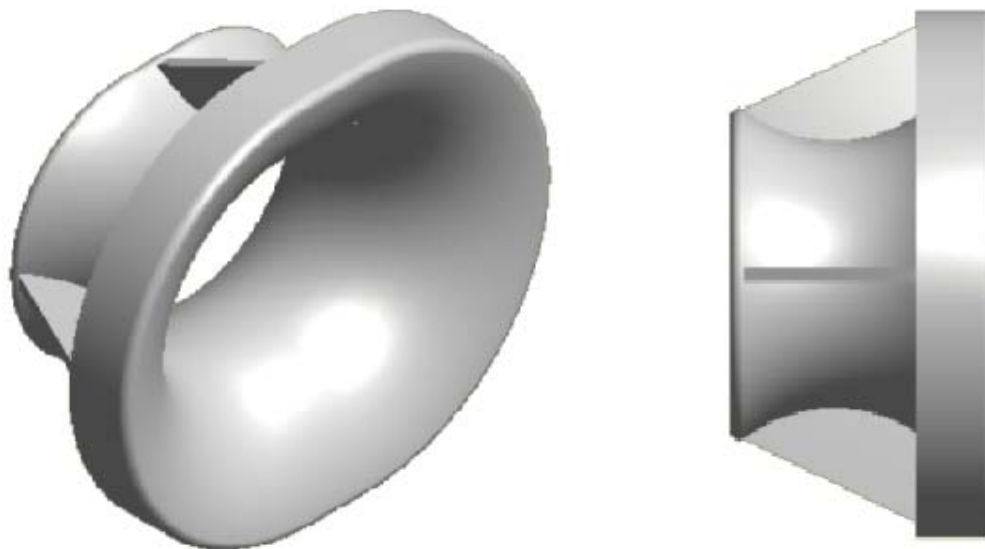
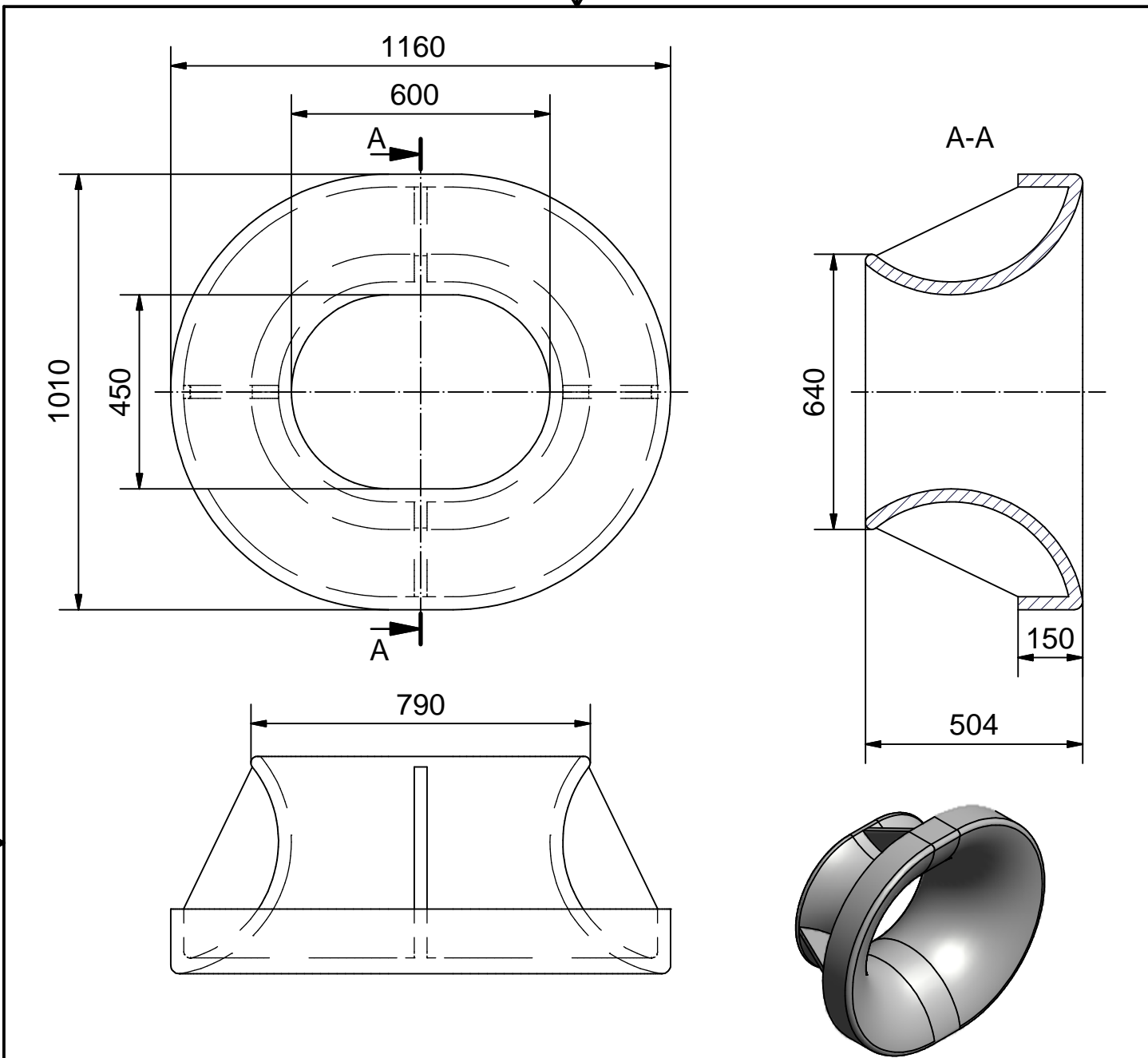


## TM 506014L Bulwark Chock 600 x 450



**SECTION VIEW**

See reverse for details ⇒



**Material:**

Cast steel (CS) - GS240 acc. to EN 10293 or equivalent

**Certification:**

3.1 acc. to EN 10204:2004

**Surface treatment:**

SA 2.5 +25 my HEMPEL shop primer ZS 15890

Constructed in compliance with IMO Guidance, MSC/Circ. 1175 of 24 May 2005 and IACS UR A2 (Rev.3).

Rope load MBL = 3678 kN  
 Design load 1.5 x MBL  
 Allowable stresses 100/60 % of min yield point  
 SWL = MBL

Suitable strengthening below deck by the yard.

Supporting hull structure and reinforcement beneath to be arranged by the yard to the satisfaction by the classification society.

**Note:**

Chocks comply with OCIMF guidance "Recommendations for equipment employed in the mooring of ships at single point moorings" and IMO resolution MSC 35 (63) of 20 May 1994 for emergency towing arrangements.

**Order:**

Chock TM 506014L

**STANDARD**

**Tech-Marine Equipment ApS**

Esrumvej 421 - DK 3080 Tikøb  
 Phone +45 4970 4395 Fax. +45 4970 1769

Existing law protects TMs rights of possession to this drawing. The design or the drawing must not, without permission of TM be published, copied, reproduced, manufactured or exploited in any other way.

**TM 506014L**

**Bulwark Chock 600 x 450**

Date	Checked	Revision
26-02-2016		B
Sheet	2 of 2	