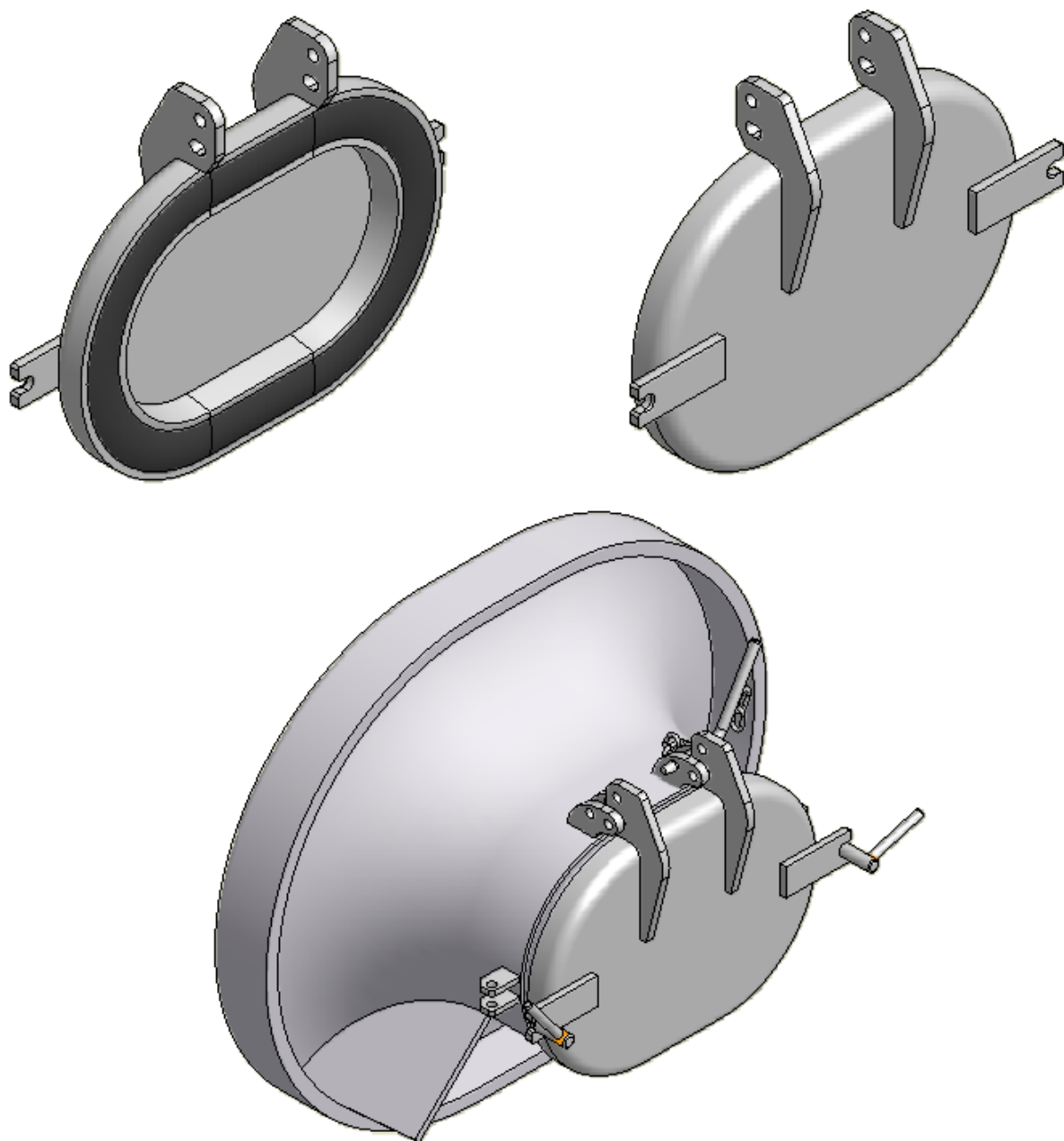


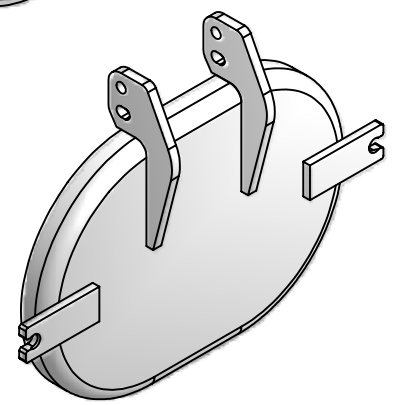
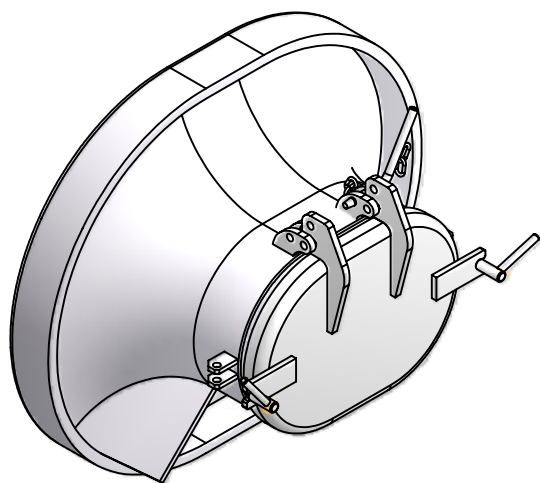
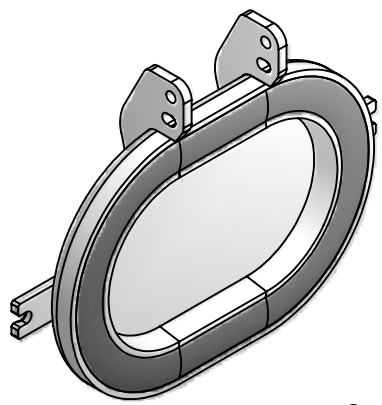
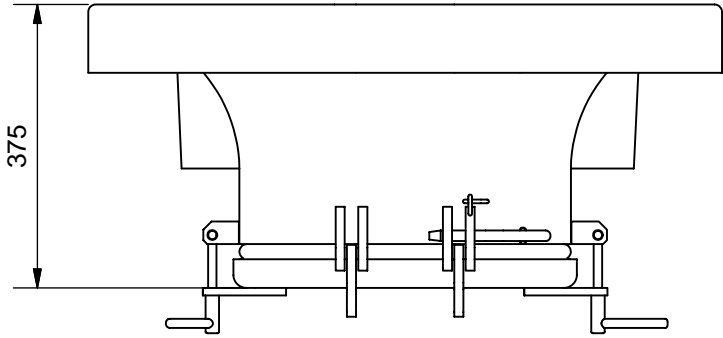
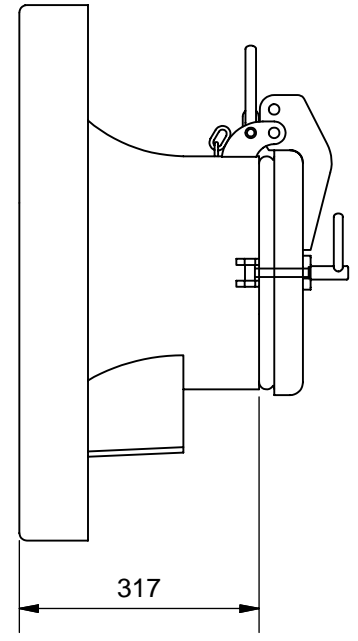
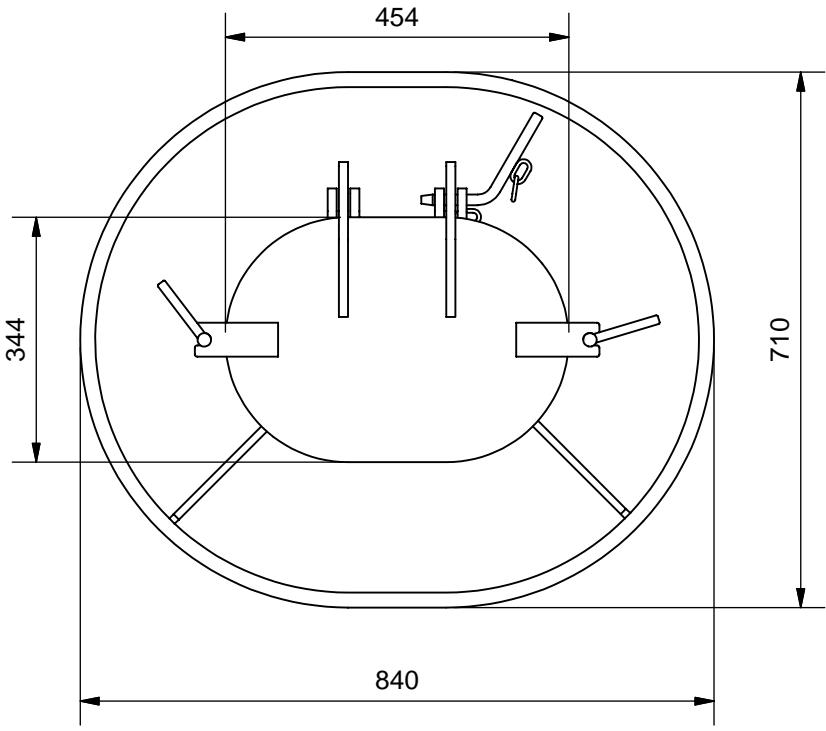
## TM 506015L DN 400 Shore Connection with Cover



See reverse for details ⇒

**TECH-MARINE EQUIPMENT APS**  
**ESRUMVEJ 421 • 3080 TIKØB • DENMARK**

E-mail: Tech-Marine@Tech-Marine.dk • www.tech-marine.dk  
Phone +45 4970 4395 • Fax +45 4970 1769 • CVR 25 99 96 49



Chock is DIN 81915-A12 or  
Bulwark Chock 400x270 acc. TM506013

**Order:** TM 506015L-Type  
Example: TM 506015L-DIN A12 or  
TM 506015L-400x270

**STANDARD**

**Tech-Marine Equipment ApS**  
Esrumevej 421 - DK 3080 Tikøb  
Phone +45 4970 4395 Fax. +45 4970 1769

Existing law protects TMs rights of possession to this drawing. The design or the drawing must not, without permission of TM be published, copied, reproduced, manufactured or exploited in any other way.

**TM 506015L**  
**DN 400**  
**Shore Connection with cover**

Date	Checked	Revision
12-08-2009		
Sheet	2 of 2	

