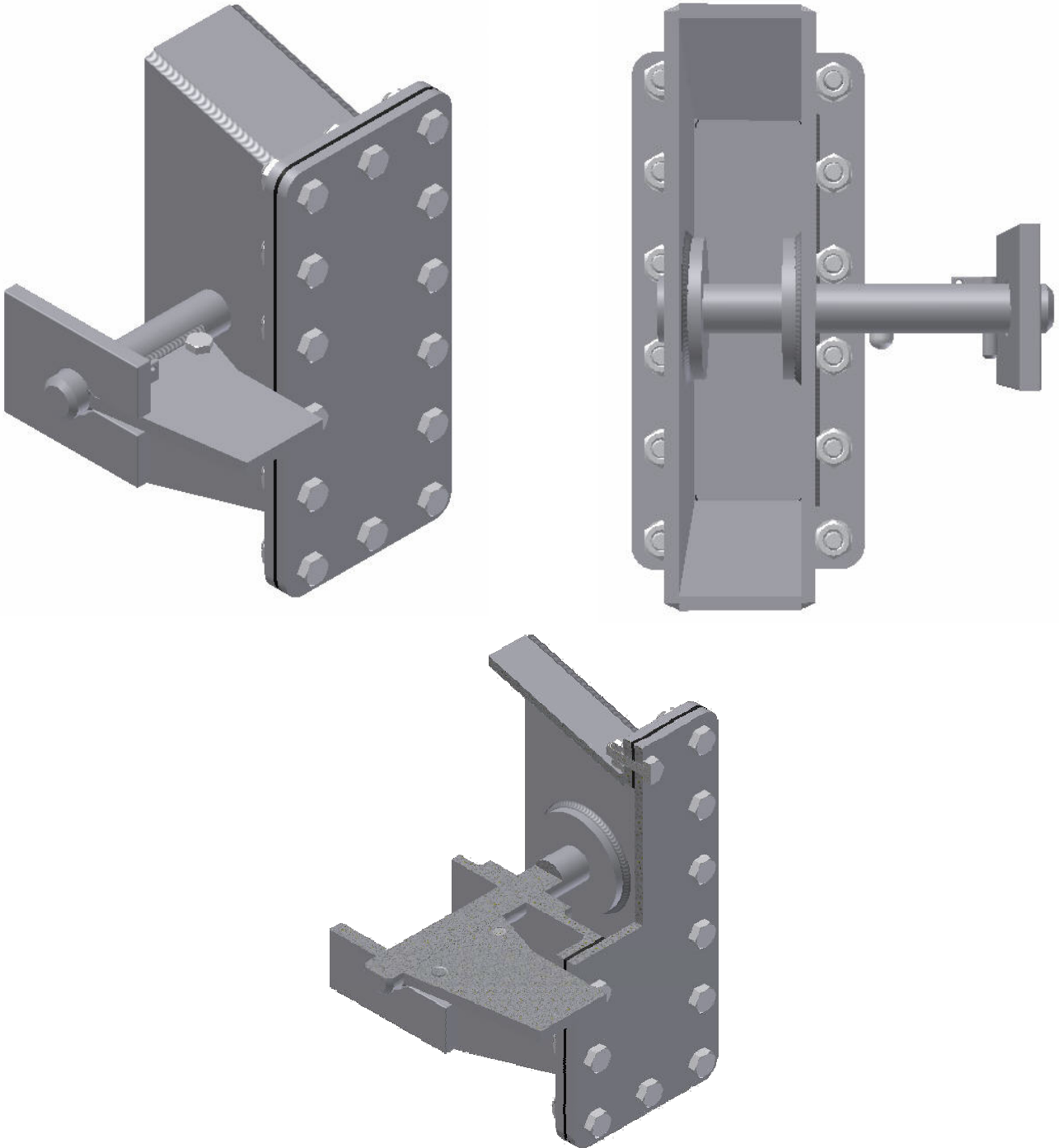


TM 508002L End Fastening for Anchor Chain



SECTION VIEW

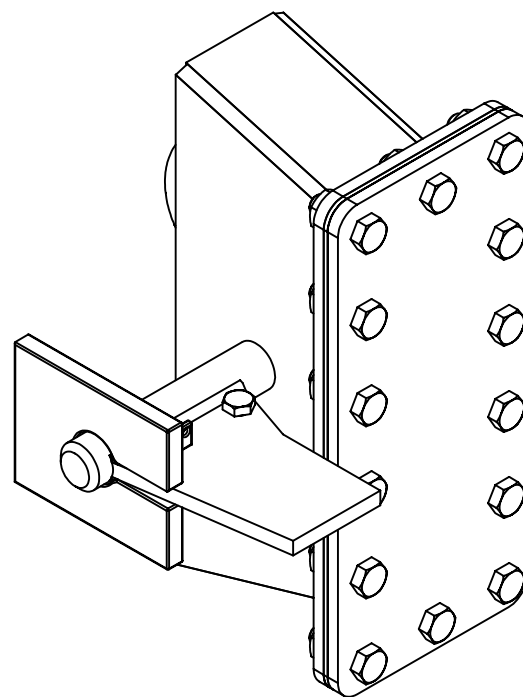
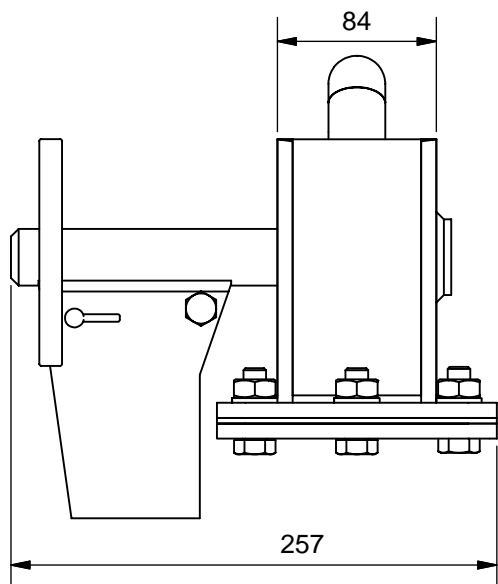
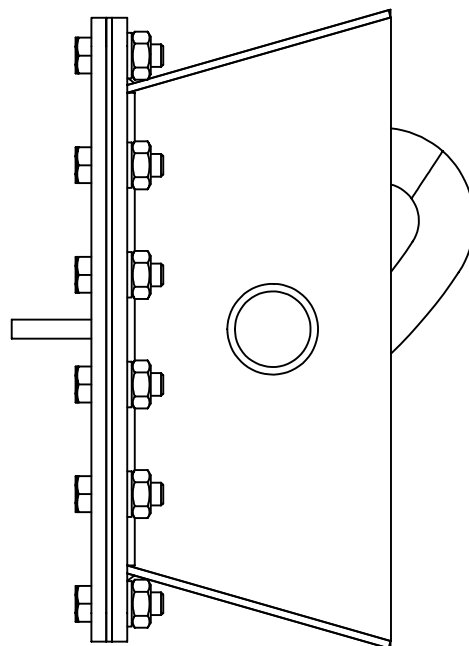
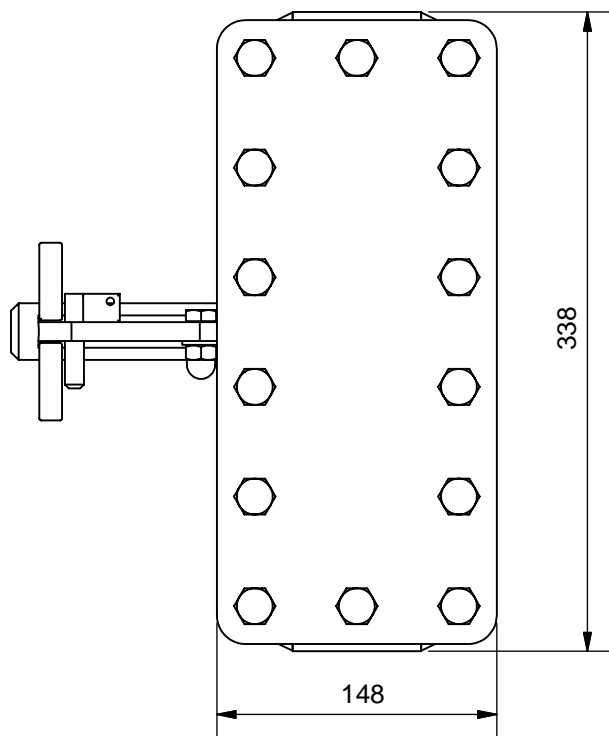
See reverse for details ⇒

TECH-MARINE EQUIPMENT APS

ESRUMVEJ 421 • 3080 TIKØB • DENMARK

E-mail: Tech-Marine@Tech-Marine.dk • www.tech-marine.dk

Phone +45 4970 4395 • Fax +45 4970 1769 • CVR 25 99 96 49



End fastening for bulkhead installation.
For use on smaller vessels.

Material: S275 and S355 - EN 10025 or equivalent

Surface treatment:
SA 2.5 + 25 my HEMPEL shopprimer ZS 15890 grey

Certificate: 3.1 EN 10204:2004

Tolerances: EN 13290 / 22768

Order: TM508002L-chain size-chain grade

Example: TM508002L-42-U3

STANDARD

Tech-Marine Equipment ApS
Esrumvej 421 - DK 3080 Tikøb
Phone. +45 4970 4395 Fax. +45 4970 1769

TM508002L

End Fastening for Anchor Chains

Assembly

Date	Checked	Revision
------	---------	----------

23-03-2009		A
------------	--	---

Sheet	2 of 2
-------	--------

Existing law protects TMs rights of possession to this drawing. The design or the drawing must not, without permission of TM be published, copied, reproduced, manufactured or exploited in any other way.