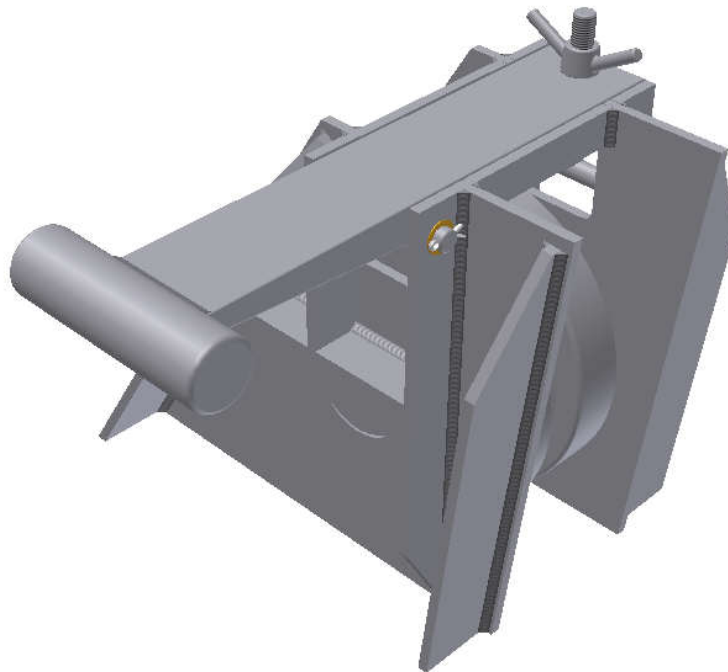
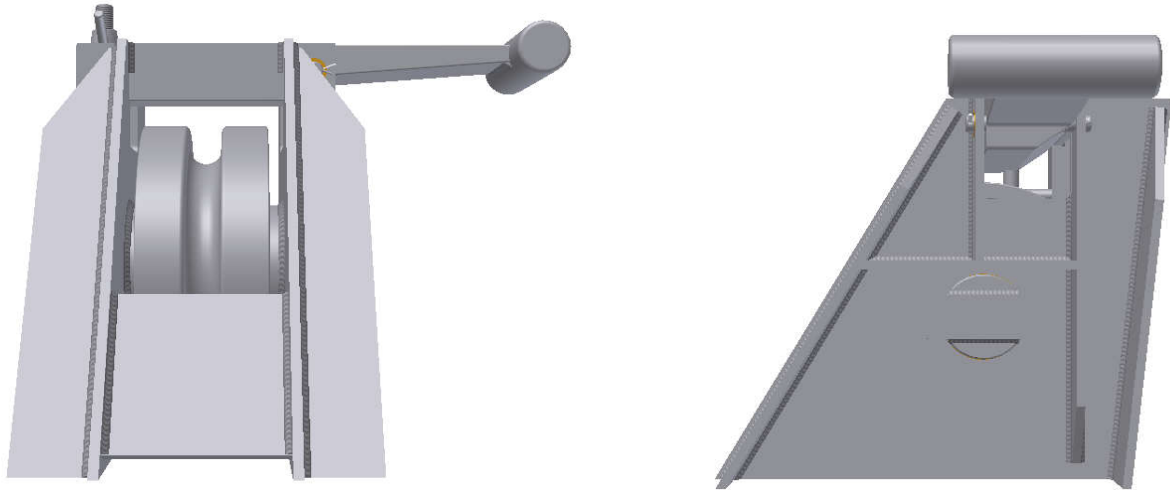


## TM 508003L Chain Stopper for 32-36 mm Chain

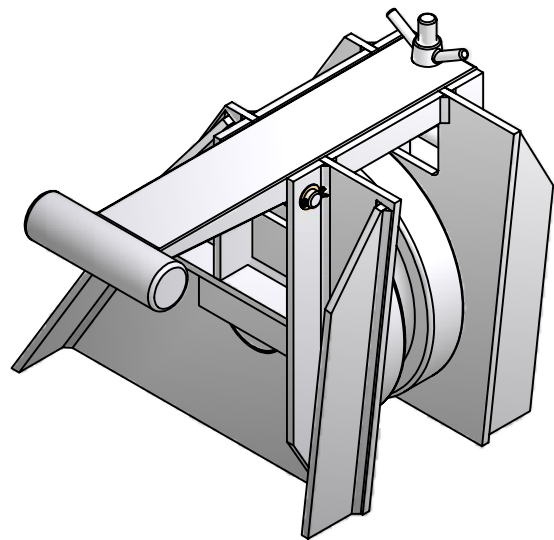
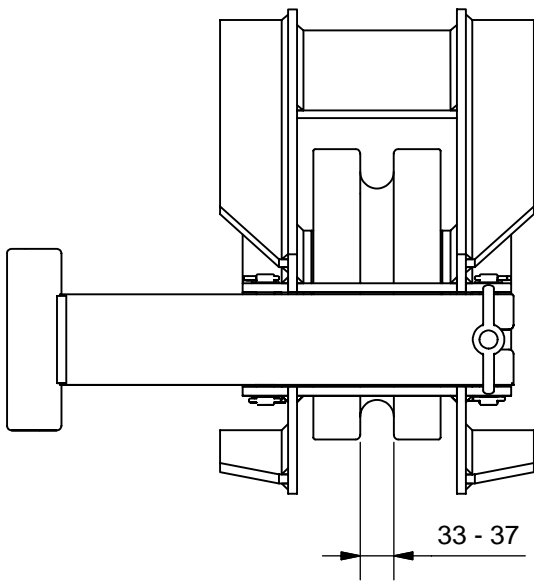
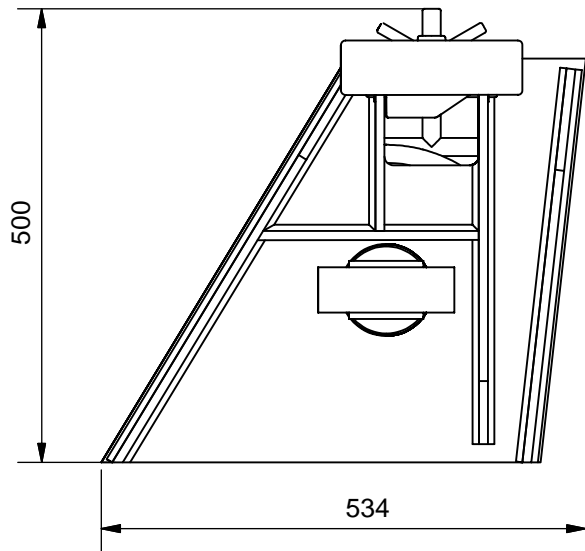
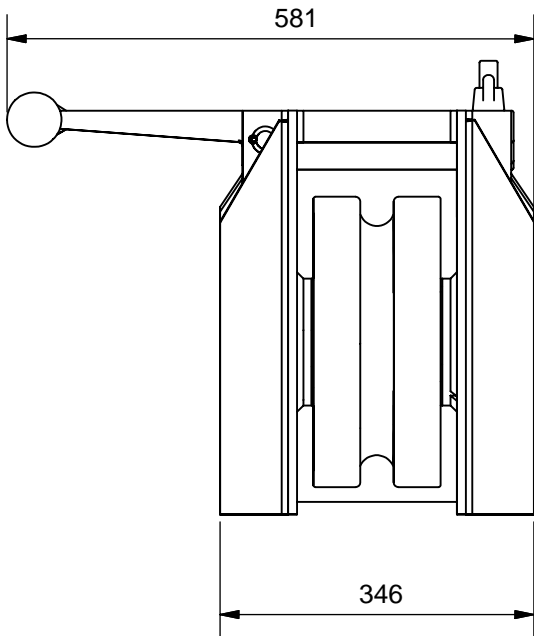


**SECTION VIEW**

See reverse for details ⇒

**TECH-MARINE EQUIPMENT APS  
ESRUMVEJ 421 • 3080 TIKØB • DENMARK**

E-mail: Tech-Marine@Tech-Marine.dk • www.tech-marine.dk  
Phone +45 4970 4395 • Fax +45 4970 1769 • CVR 25 99 96 49



Chain stopper for use with chain size 32 - 36 mm on smaller vessels .

Material: S275 and S355 - EN 10025 or equivalent

Surface treatment:  
SA 2.5 + 25 my HEMPEL shopprimer ZS 15890 grey

Certificate: 3.1 EN 10204:2004

Tolerances: EN 13290 / 22768

Order: TM508003L-chain size-chain grade

Example: TM508003L-32-U3

### STANDARD

**Tech-Marine Equipment ApS**

Esrumvej 421 - DK 3080 Tikøb  
Phone. +45 4970 4395 Fax. +45 4970 1769

**TM 508003L**

**Chain Stopper for 32 - 36 mm Chain**

Date	Checked	Revision
------	---------	----------

23-03-2009		A
------------	--	---

Sheet	2 of 2
-------	--------

Existing law protects TMs rights of possession to this drawing. The design or the drawing must not, without permission of TM be published, copied, reproduced, manufactured or exploited in any other way.