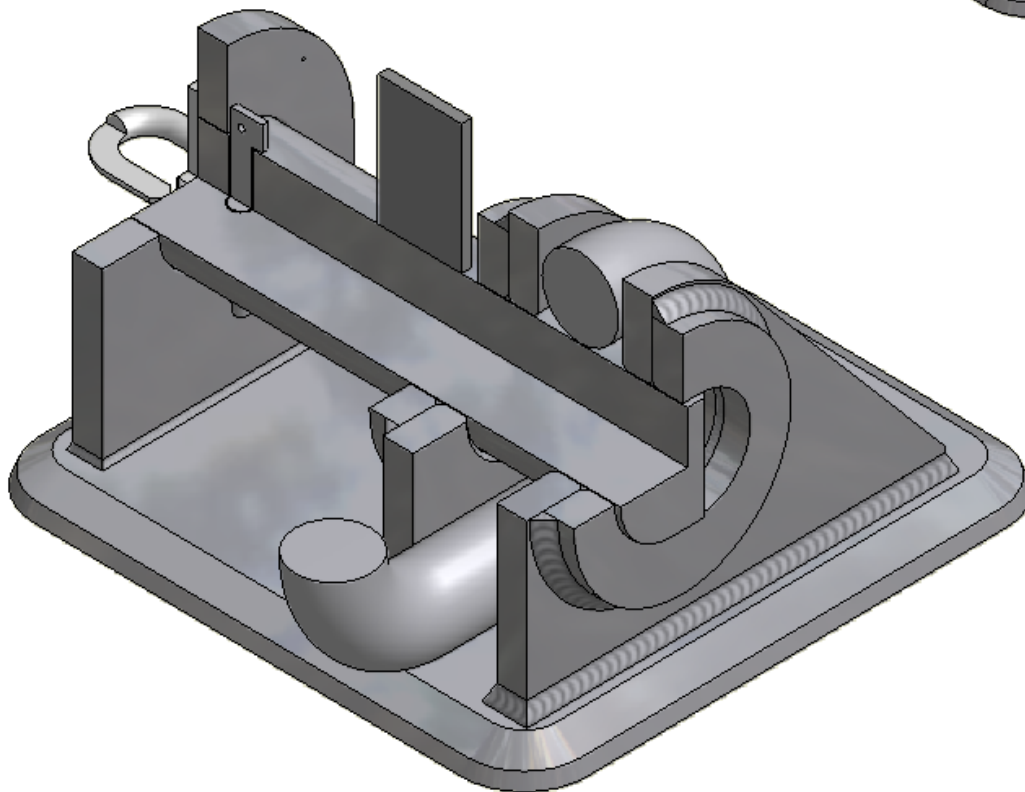
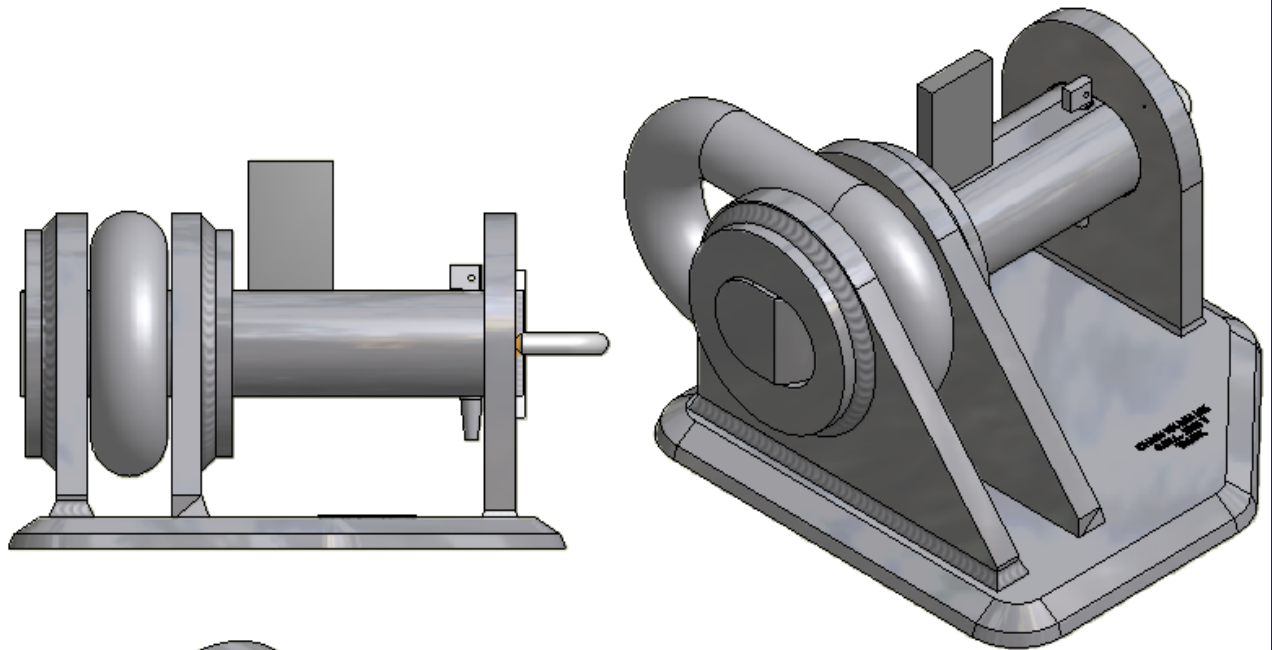


TM 508004L Smit Bracket (type oval end link)



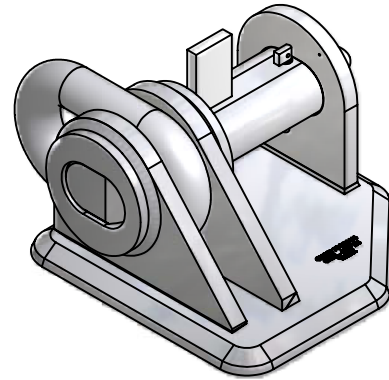
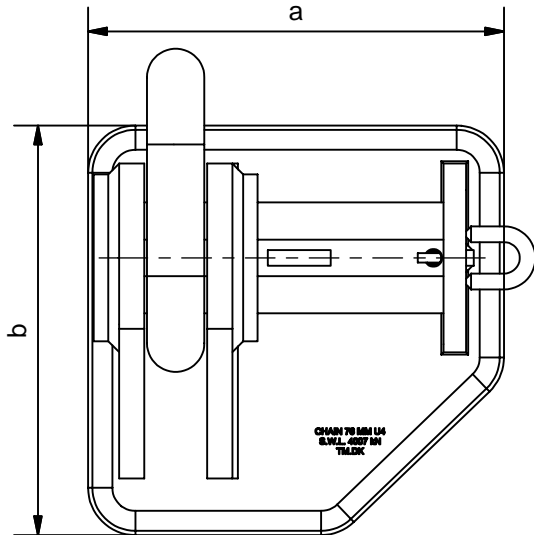
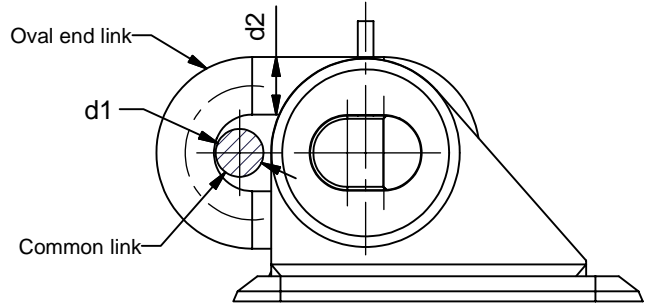
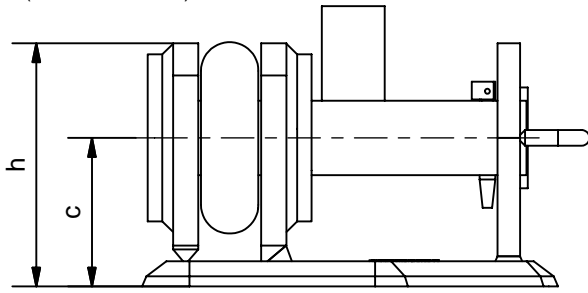
SECTION VIEW

See reverse for details ⇒

**TECH-MARINE EQUIPMENT APS
ESRUMVEJ 421 • 3080 TIKØB • DENMARK**

E-mail: Tech-Marine@Tech-Marine.dk • www.tech-marine.dk
Phone +45 4970 4395 • Fax +45 4970 1769 • CVR 25 99 96 49

STBD (SHOWN)
PORT (SYMMETRICAL)



CHAIN 76 MM U4
S.W.L. 4007 kN
TRACK

Chain Stopper "Smit bracket" type										
TM Type	SWL (kN)	Measurement (mm)				Common link			Oval End link	
		a	b	c	h	dia	grade	MBL (kN)	dia	grade
54 U3	1513	600	650	220	370	54	U3	2270	64.8	U3
54 U4	2113	600	650	228	378	54	U4	3170	64.8	U4
76 U3	2867	600	650	226	376	76	U3	4300	91.2	U3
76 U4	4007	660	650	240	390	76	U4	6010	91.2	U4
81 U2	2253	600	650	220	370	81	U2	3380	97.2	U2
92 U3	4053	780	900	250	430	92	U3	6080	110.4	U3
92 U4	5673	780	900	265	445	92	U4	8510	110.4	U4

Marking:
CHAIN XX MM UX
S.W.L XXX kN
TM.DK

Surface treatment: SA 2,5 +25my HEMPEL shopprimer ZS 15890
Grey

Material: S355J2 - EN 10025 or equivalent
Certificate: 3.1 - EN 10204:2004
Tolerances: EN 13920 / 22768

Constructed in compliance with IMO Guidance On Shipboard
Towing And Mooring Equipment, MSC/Circ. 1175 of 24 May 2005.

Design Load \leq MBL
Design load = 1.5 x SWL
Allowable stresses 100/60 % of min yield point

Weld factor 0,44 to apply unless otherwise stated on drawings.

Supporting hull structure:
Arrangement of the reinforced members surrounding is to consider any variation in direction (laterally and vertically) on towing forces acting through the arrangement of connection to the towing fittings.

Upon installation the supporting structure should be test loaded to the specified SWL and test certificate issued. The test certificate should be available for inspection on board ship. Suitable strengthening below deck by the yard.

Order: TM 508004L - TM Type - SWL
Example: TM 508004L - 92 U3 - 4053kN

STANDARD

Tech-Marine Equipment ApS
Esrumvej 421 - DK 3080 Tikøb
Phone +45 4970 4395 Fax. +45 4970 1769

Existing law protects TMs rights of possession to this drawing. The design or the drawing must not, without permission of TM be published, copied, reproduced, manufactured or exploited in any other way.

TM 508004L

Smit Bracket (type oval end link)

Date	Checked	Revision
03-02-2009		C
Sheet	2 of 2	