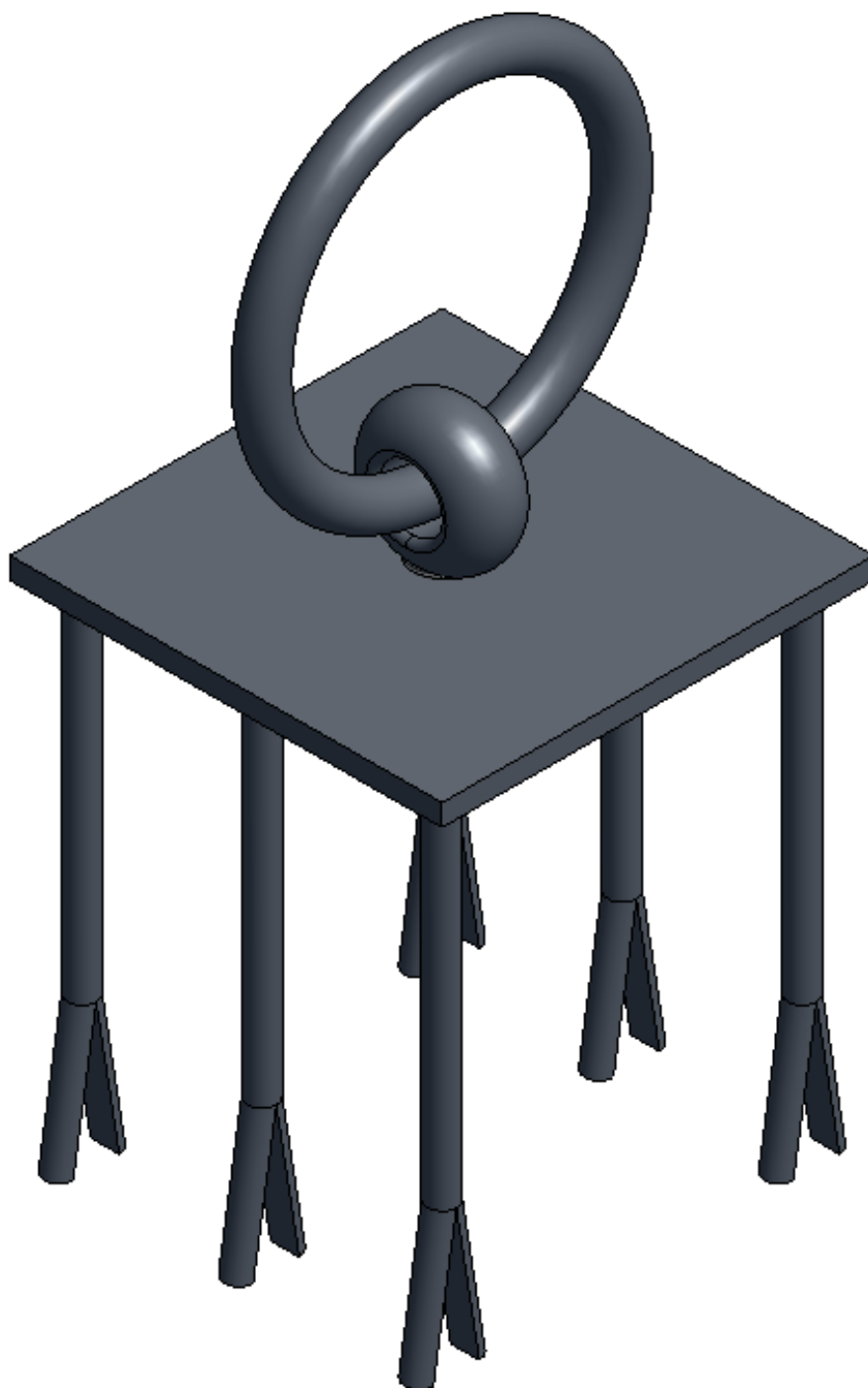


TM 517004L Mooring Ring

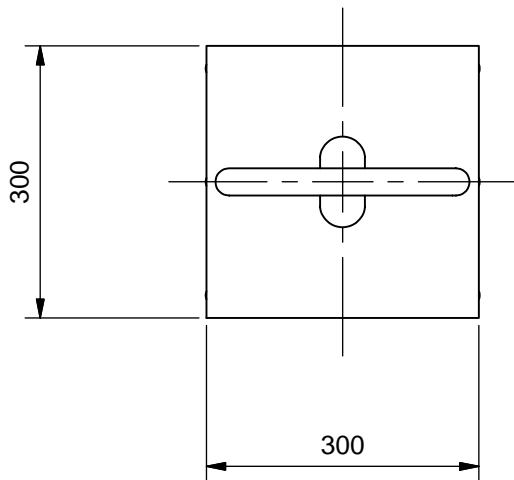
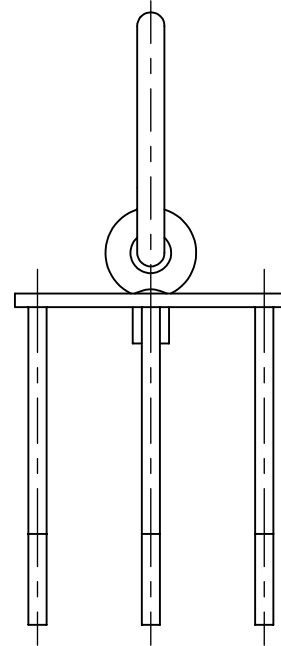
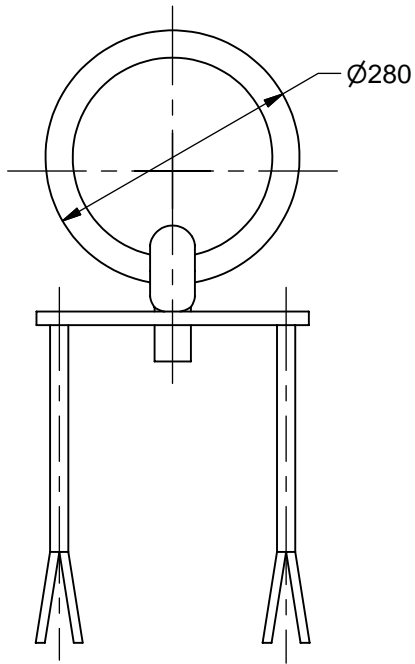


See reverse for details ⇒

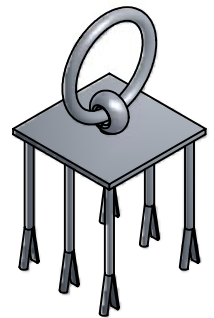
TECH-MARINE EQUIPMENT APS

ESRUMVEJ 421 • 3080 TIKØB • DENMARK

E-mail: Tech-Marine@Tech-Marine.dk • www.tech-marine.dk
Phone +45 4970 4395 • Fax: +45 4970 1769 • CVR 25 99 96 49



DRAFT



STANDARD

Tech-Marine Equipment ApS Esrumvej 421 - DK 3080 Tikøb Phone. +45 4970 4395 Fax. +45 4970 1769	TM517004L	Date	Checked by	Revision:
	Mooring Ring	23-03-2009		A
Existing law protects TMs rights of possession to this drawing. The design or the drawing must not, without permission of TM be published, copied, reproduced, manufactured or exploited in any other way.	Mooring Ring	Sheet	2 of 2	