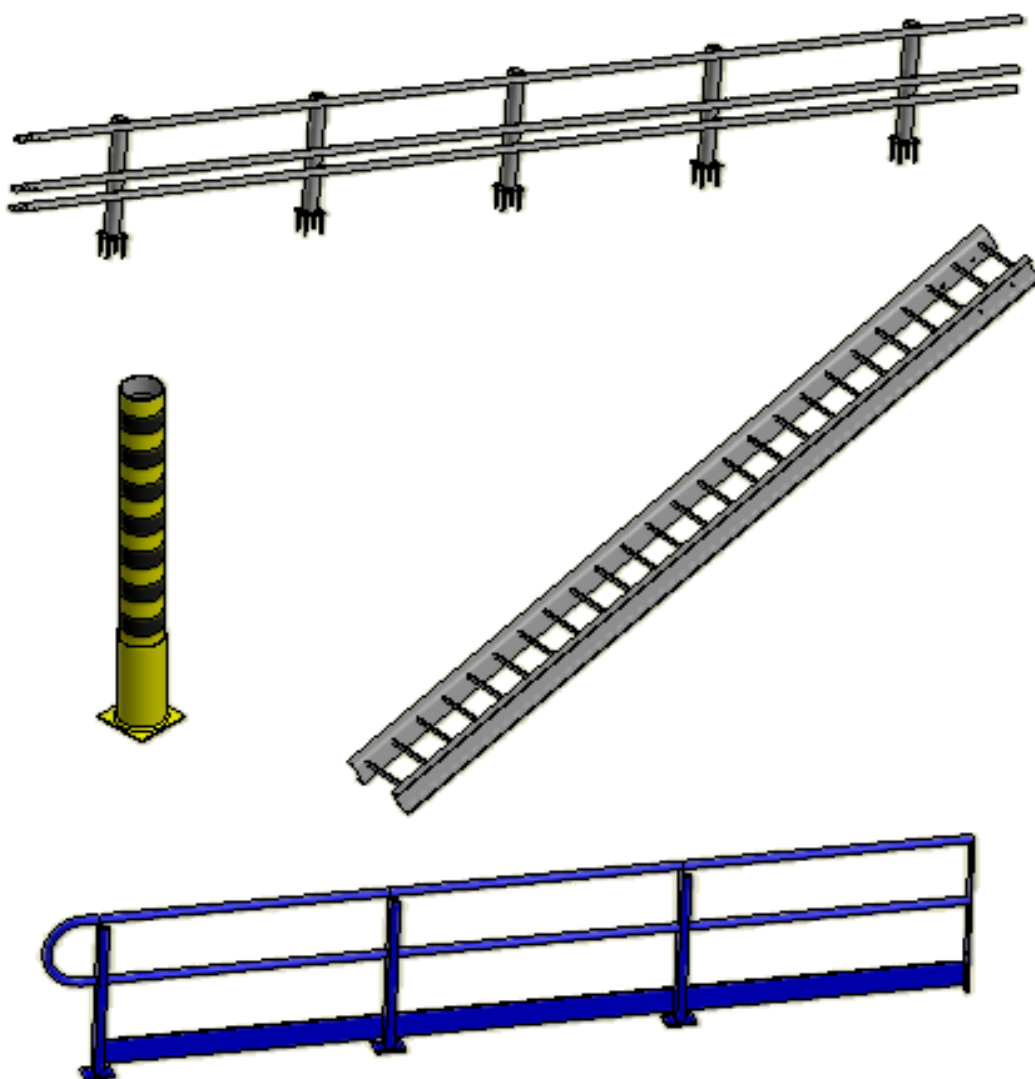


TM 517008L Various harbour equipment



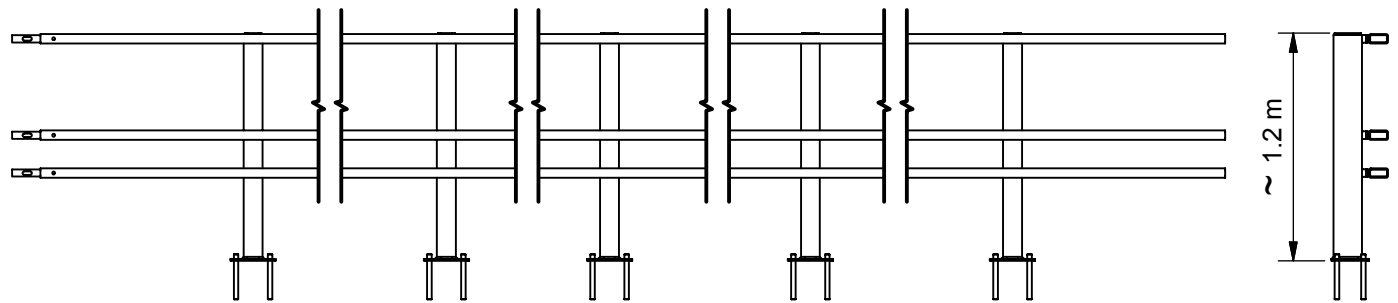
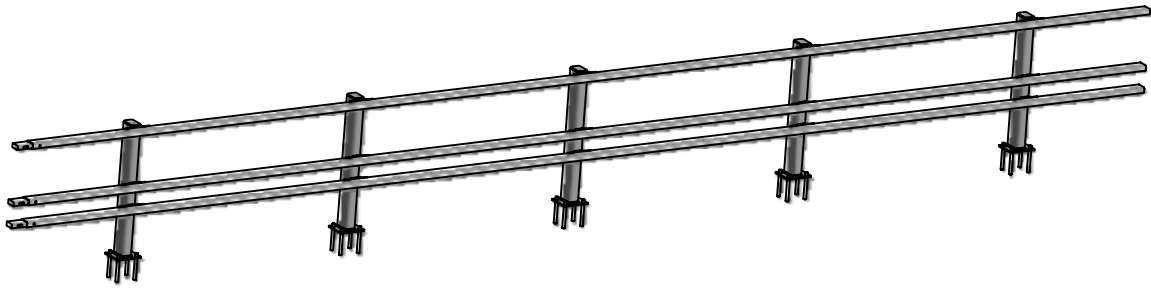
See reverse for details ⇒

TECH-MARINE EQUIPMENT APS

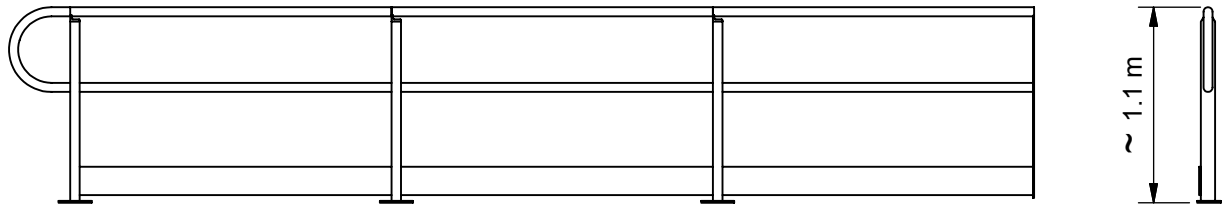
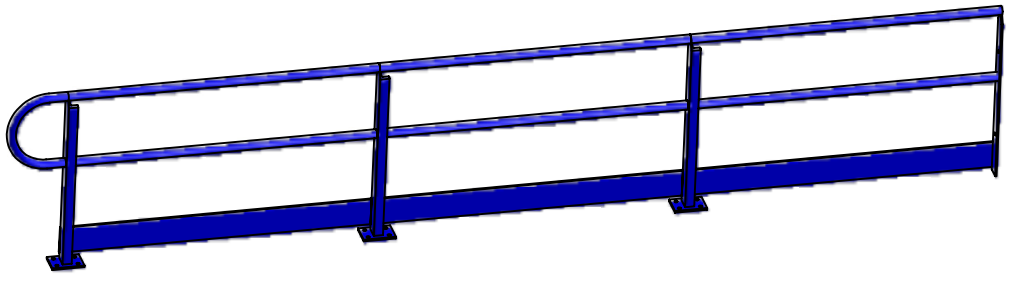
ESRUMVEJ 421 • 3080 TIKØB • DENMARK

E-mail: Tech-Marine@Tech-Marine.dk • www.tech-marine.dk

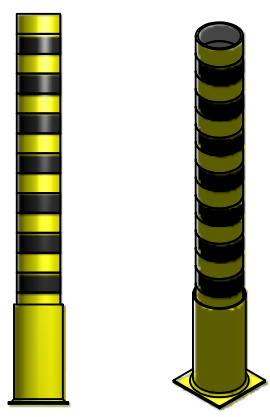
Phone +45 4970 4395 • Fax: +45 4970 1769 • CVR 25 99 96 49



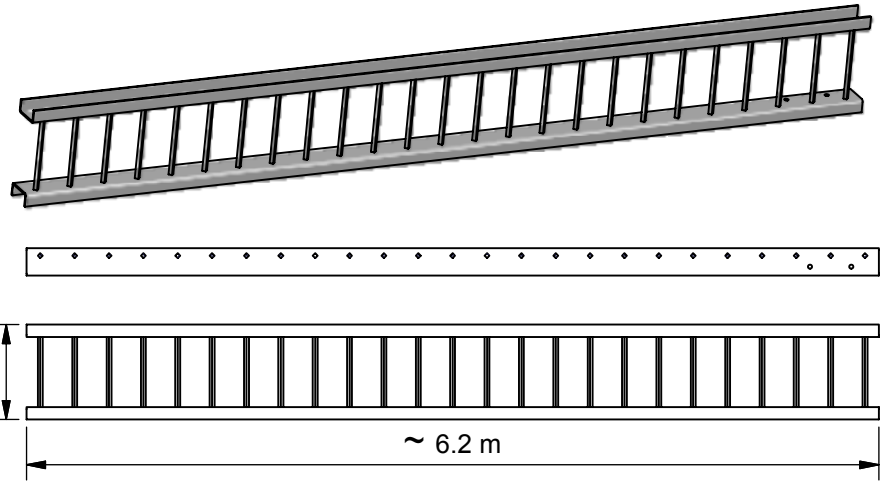
- Auto Crash Barriere -



- Hand Rail -



- Protective Bollard -



- Ladder -

STANDARD

<p>Tech-Marine Equipment ApS Esrumvej 421 - DK 3080 Tikøb Phone. +45 4970 4395 Fax. +45 4970 1769</p> <p>Existing law protects TMs rights of possession to this drawing. The design or the drawing must not, without permission of TM be published, copied, reproduced, manufactured or exploited in any other way.</p>	<p>TM517008L</p> <p>Various harbour equipment</p>	Date	Checked by	Revision:
		16-09-2013		
		Sheet	2 of 2	